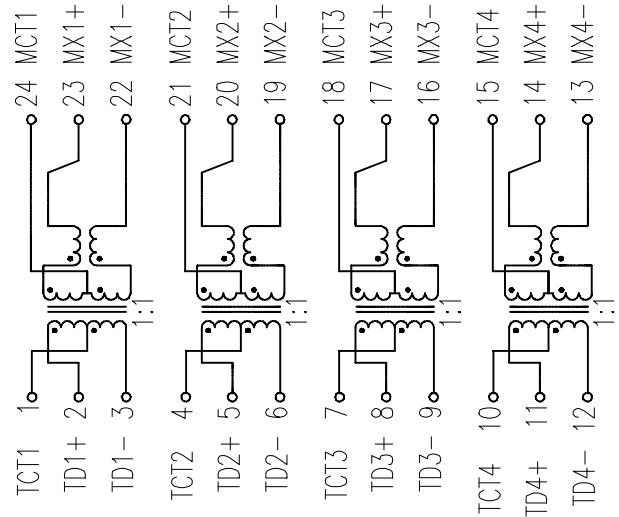


SUGGESTED PAD LAYOUT

UNLESS OTHERWISE SPECIFIED ALL TOLERANCES ARE : XX.XX ±0.25mm  
0.XX ±0.05mm



ELECTRICAL CHARACTERISTICS:

- 1.INSULATION HI-POT : (5KVrms, 1mA, 2Sec) : PRI / SEC
- 2.TURN RATIO (±5%) : TX = 1CT : 1CT  
RX = 1CT : 1CT
- 3.OCL : 350uH MIN. 100KHz/0.1V AT 8mA DC BIAS
- 4.INSERTION LOSS : 1-100MHz = -1.2dB MAX.
- 5.RETURN LOSS (dB MIN.) :
 

1-30MHz	40MHz	50MHz	60-80MHz	100MHz
-18	-14.4	-13.1	-10	-8
- 6.DIFFERENTIAL TO COMMON MODE REJECTION (dB MIN.) :
 

30MHz	60MHz	100MHz
-43	-37	-33
- 7.CROSS TALK (dB MIN.) :
 

30MHz	60MHz	100MHz
-45	-40	-35
- 8.OPERATING TEMPERATURE RANGE : -40°C~+105°C
- 9.RoHS COMPLIANT

					<b>AOEM.</b>		TITLE PoE SINGLE 1000 BASE-T	
							DWG. NO. ATPL-440TR	
RELEASE					UNITS:		SAFETY	
NO:	DESCRIPTION	DATE	BY	CHK	APPD	DATE	P/N:	SHEET 1 of 1 DRAW
REVISIONS								